



# PRELUDE™ MTS TOWER

Owner's Guide



# PRELUDE MTS TOWER OWNER'S GUIDE

## Table of Contents

- 3 Technology – Ceramic Metal Matrix Diaphragms™ (C.M.M.D.™)
- 3 Unpacking the Product/Included Accessories
- 4 Installing the Tower on Top of the Subwoofer
- 7 Installing the Tower onto the Floor Stand
- 11 Wall-Mounting the Tower Using the Wall Bracket
- 14 Placement
- 15 Specifications

## Infinity Prelude MTS

This loudspeaker system represents a refinement of the principles that have guided Infinity's loudspeaker designs for more than 30 years. Loudspeaker development is generally an evolutionary process. New models usually perform slightly better than the ones they replace. Over time, the subtle improvements add up and, when the latest model is compared to a loudspeaker that is ten or twelve years old, the disparity is unmistakable.

Every once in a while, a loudspeaker is developed that transcends this pattern – its performance so remarkable, its design so stunning, its technology so advanced, it can truly be described as revolutionary. The new Infinity Prelude MTS loudspeaker system is an elegant case in point.

## TECHNOLOGY

As part of the Prelude MTS system, the Prelude MTS Tower incorporates several innovative technologies that, when implemented by exceptional engineering talent after hours upon hours of subjective listening evaluations, result in a loudspeaker that realistically and accurately reproduces the signal source with minimal distortion and coloration.

### Ceramic Metal Matrix Diaphragms™ (C.M.M.D.)

For decades, loudspeaker engineers have known that the ideal transducer should be stiff, yet light, and have high internal damping. (Damping is a material's ability to absorb energy.) Infinity's C.M.M.D. transducer is a significant advance in transducer technology. Ceramic, a class of material new to loudspeakers, offers better performance than that of other materials. Ceramic is stiffer than metals and lighter than plastics and typical composite materials; it also offers improved damping. These ceramic-based transducers take us a giant step closer to the ever-elusive "ideal transducer."

In tweeters, C.M.M.D. technology offers stiffness and damping superior to that of traditional metals and soft-dome materials. In woofer and midrange applications, it offers accurate pistonic operation over the entire frequency range of the driver, completely eliminating coloration due to cone breakup and dramatically reducing distortion. And when ceramic-metal-matrix transducers are exposed to moisture, sunlight or extreme temperatures, their performance does not deteriorate.

### Transducers

In addition to ceramic diaphragms, all the transducers incorporate magnetic shielding and rigid cast-frames that, through our FEA computer modeling and scanning-laser-vibrometer measurements, have been optimized to reduce resonances. This ensures minimal distortion and incomparable performance.

## Completing the Experience

The technology and performance that make the Infinity Prelude MTS loudspeakers ideal for music listening also make them the perfect digital multichannel loudspeaker system. To complete a home-theater system, Infinity has designed, to the same precise standards as the Prelude MTS, a matching 3-way center-channel loudspeaker. Also, additional Prelude MTS Towers are available separately for use as full-range surround channels. The towers can be either wall mounted or attached to matching stands for floor placement.

We hope you enjoyed this brief introduction to the technology of the Prelude MTS system. If you would like to further explore the technology and design of the Prelude MTS system, please ask your Infinity dealer for the C.M.M.D. White Paper. The White Paper can also be downloaded from Infinity's Web site at [www.infinitysystems.com](http://www.infinitysystems.com).

## Unpacking the Product

Unpack the speakers and check the contents. If you suspect damage from transit, report it immediately to your dealer and/or delivery service. Keep the shipping carton and packing materials for future use.

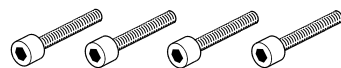
## Included Accessories . . .

### PRELUDE MTS TOWER

Screw Caps (2)



10-32 Socket Head Screws (4)



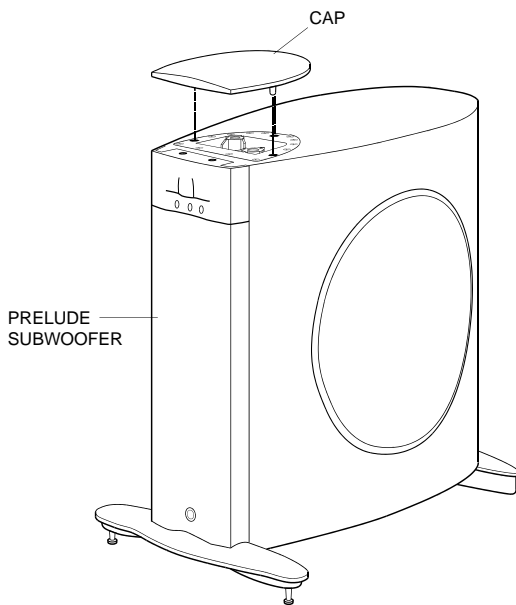
# INSTALLATION

Please read through this owner's guide completely before attempting to install or connect the speakers. We understand that you may be anxious to play your new system, so we have made every effort to simplify the installation and connections of the Prelude MTS.

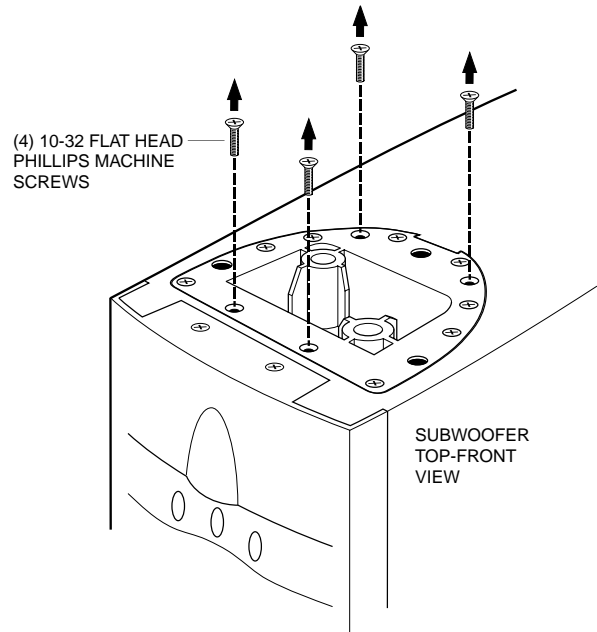
Please see the guide included with the Prelude MTS Subwoofer for complete placement and connection instructions.

Before proceeding, you should decide how you would like to install the tower portion of the Prelude MTS system. The tower may be attached to the powered subwoofer, mounted to our optional floor stands, or mounted on the wall using the optional wall brackets. In all cases, it is strongly recommended that two or three people help install the tower to minimize the possibility of damage or injury.

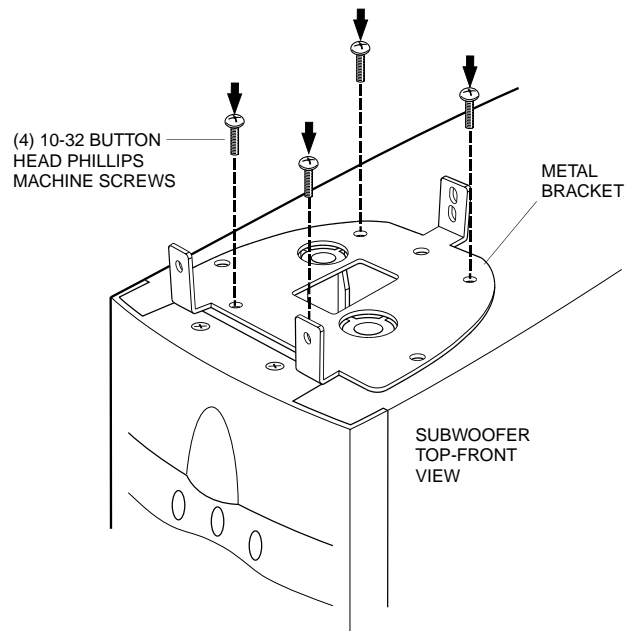
## Installing the Tower on Top of the Subwoofer



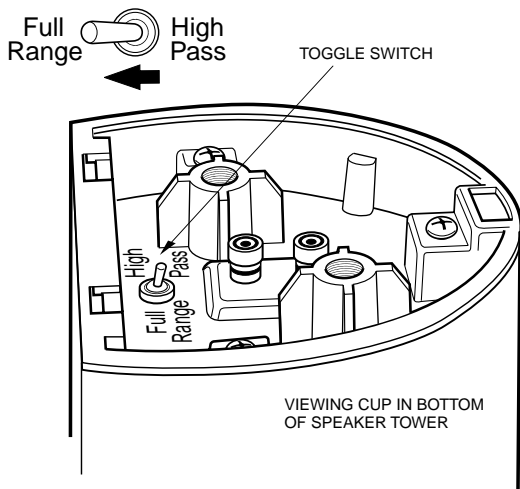
**STEP 1** – Remove cap from subwoofer by gently lifting it off.



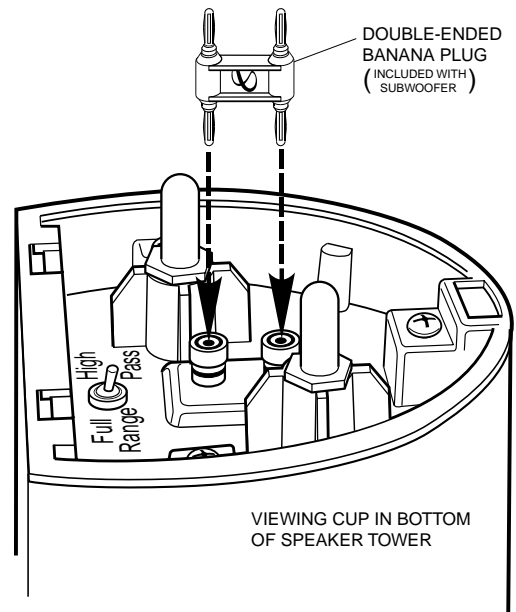
**STEP 2** – Remove the four machine, 10-32 Phillips flat head screws from subwoofer cup.



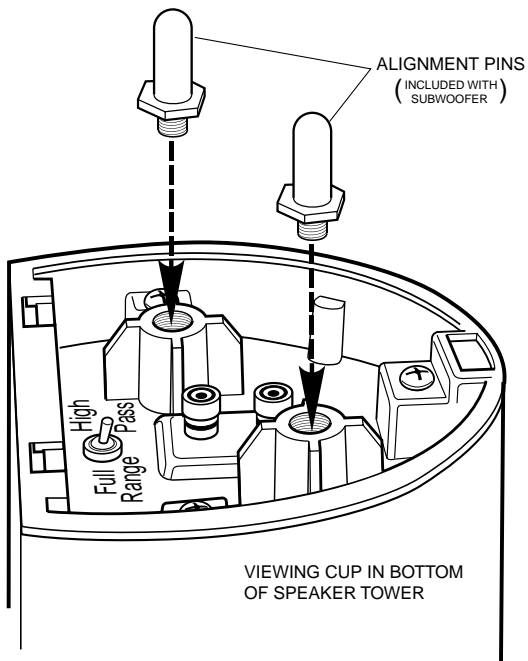
**STEP 3** – Add metal bracket, positioning as shown; replace the four existing screws with four machine, 10-32 Phillips head screws provided.



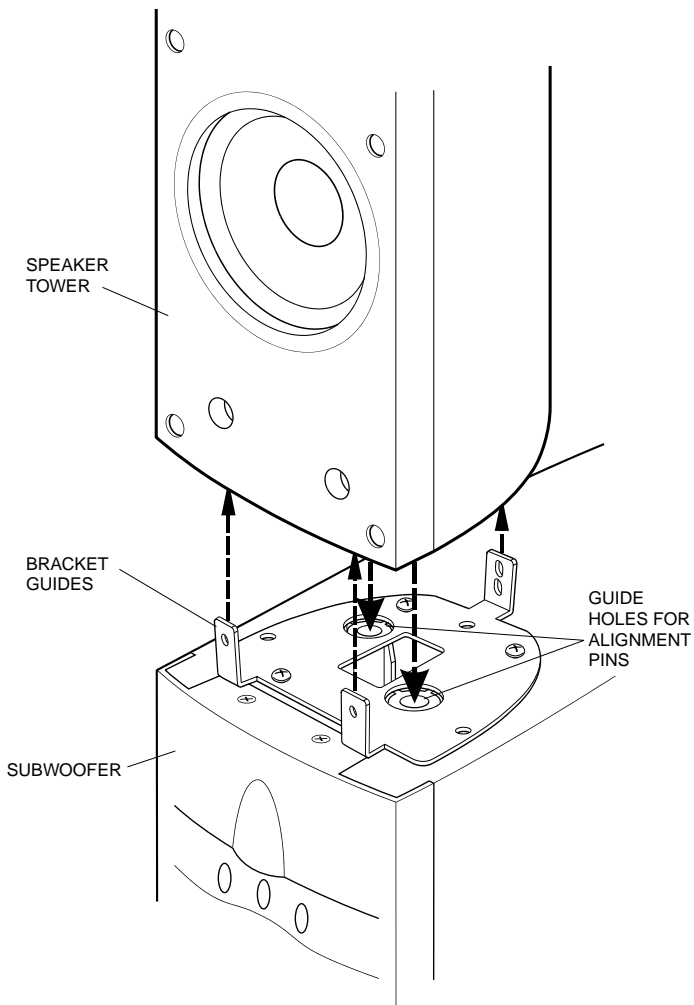
**STEP 4** – Set Toggle Switch in tower cup in bottom to the “Full Range” position. Please consult the Prelude MTS Subwoofer manual for exceptions to this setting.



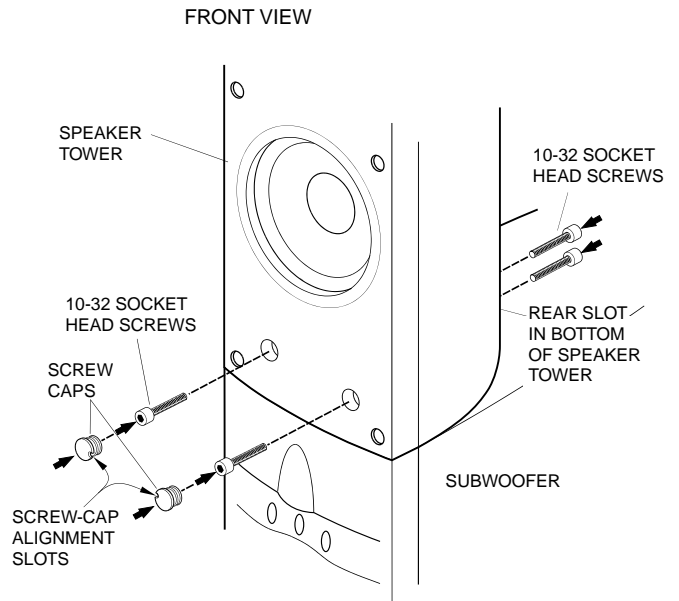
**STEP 6** – Insert double-ended Audio Banana Plug into tower as shown.



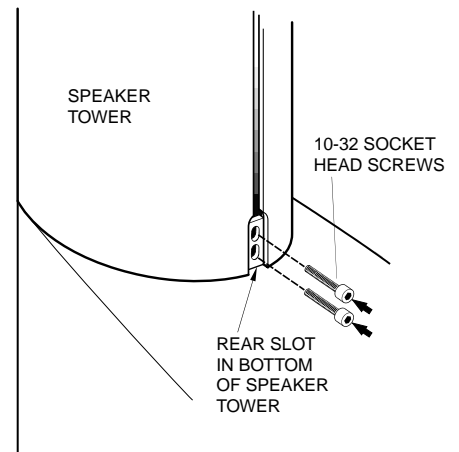
**STEP 5** – Screw alignment pins into cup in bottom of tower, using two per tower. Screw threaded ends into holes and tighten until snug. DO NOT overtighten.



**STEP 7** – Slowly lower the tower assembly onto the subwoofer, being careful to insert the alignment pins into receptacle guide holes.

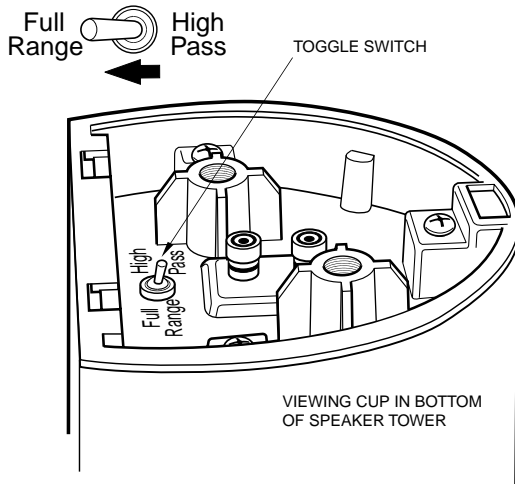


REAR VIEW

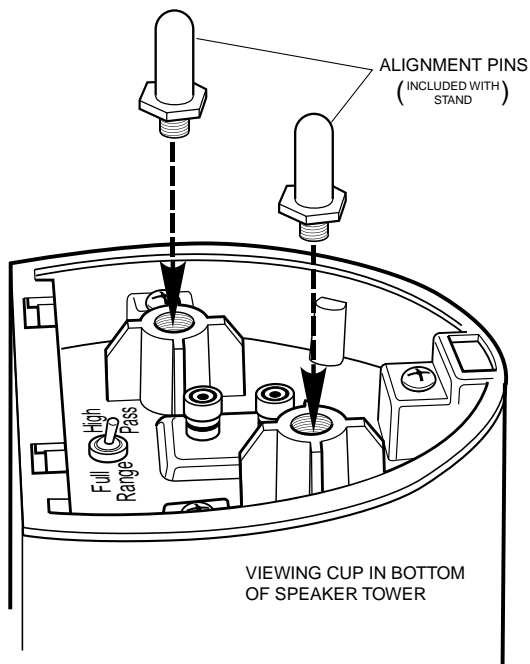


**STEP 8** – Fasten the four 10-32 Socket Head Screws through the tower base as shown: two through the front baffle and two in the rear slot. Press flush into place two screw caps to hide holes in front baffle base. Make sure that the alignment slots point toward the center to assure that the surface curve matches that of the baffle.

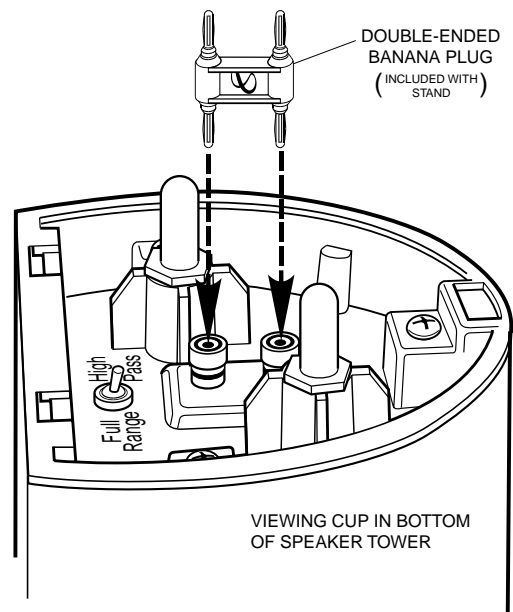
## Installing the Tower onto the Floor Stand



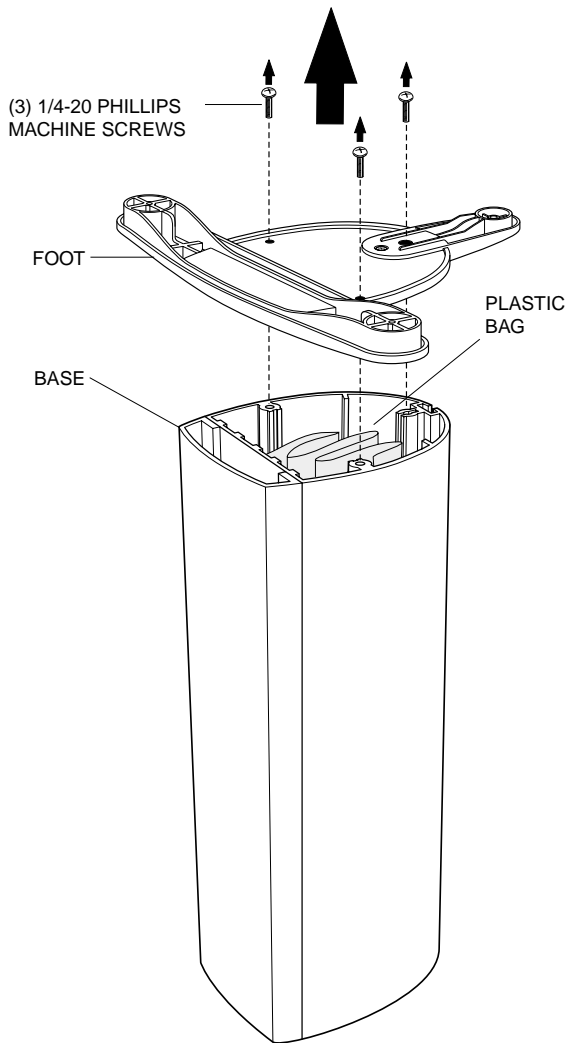
**STEP 1** – When using the tower as a surround speaker, set Toggle Switch in tower cup to “Full Range.” When using as a front channel, set Toggle Switch in tower cup in bottom to the “Full Range” position. Please consult the Prelude MTS Subwoofer manual for exceptions to this setting.



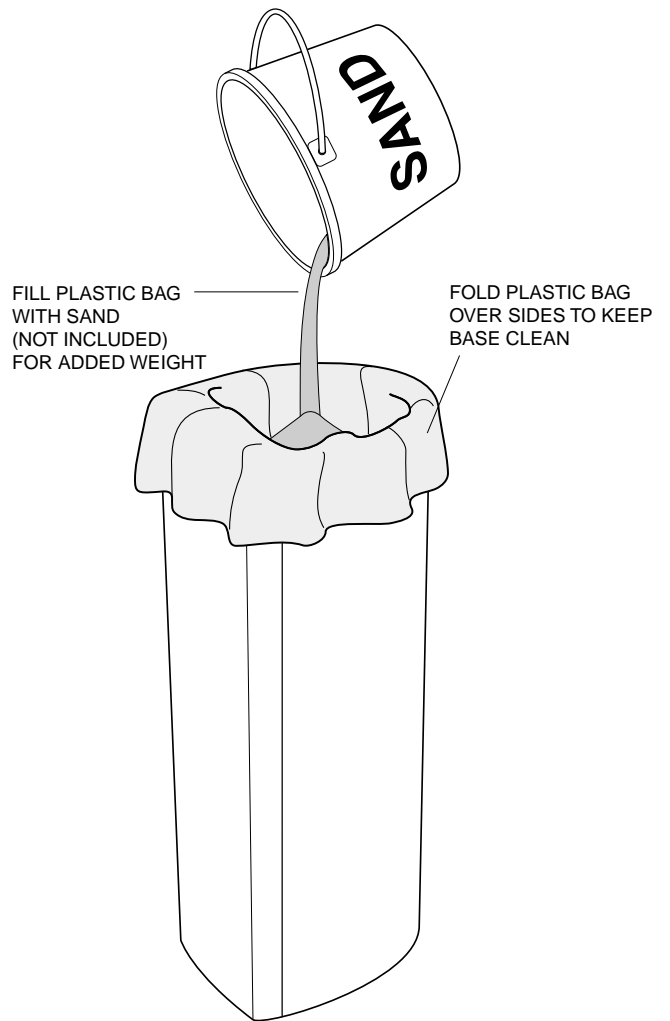
**STEP 2** – Screw alignment pins into cup in bottom of tower. Use two per tower. Screw threaded ends into holes and tighten until snug. DO NOT overtighten.



**STEP 3** – Insert double-ended Audio Banana Plug into tower as shown.

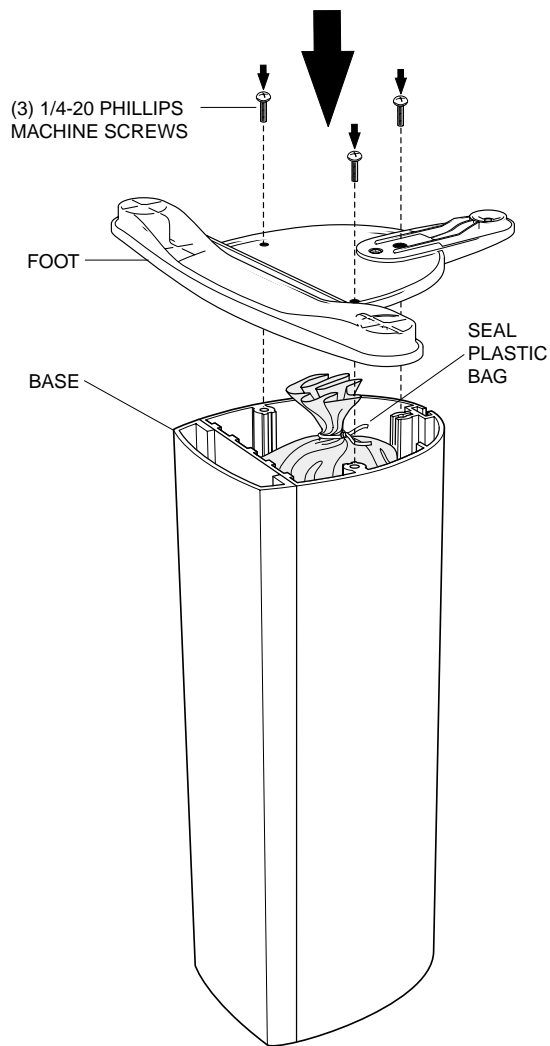


**STEP 4** – To add greater stability to the tower stand, add sand (not included) in the plastic bag provided in the tower base. Turn the base upside-down and remove the (3) 1/4-20 Phillips screws holding the foot onto the base.

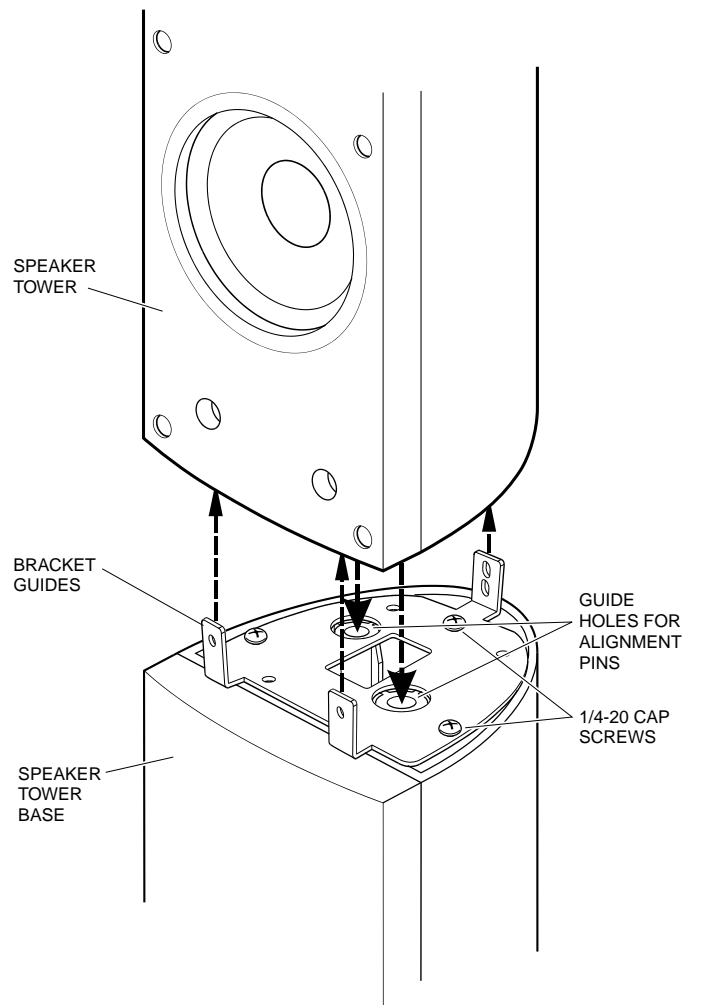


**STEP 5** – Remove one foam pad, and then pull out the plastic bag and open it. Place it back into the opening of the base, taking care to fold it over the sides so as to keep sand from falling into the base. Fill the plastic bag with sand.



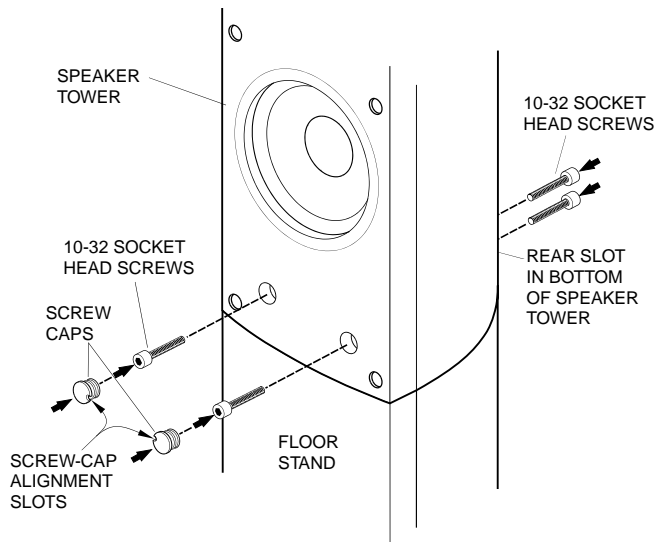


**STEP 6** – Seal the plastic bag, making sure to tuck it back inside the base, and place the previously removed foam pad on top of the sealed bag. Replace the foot with the same 1/4-20 Phillips screws.

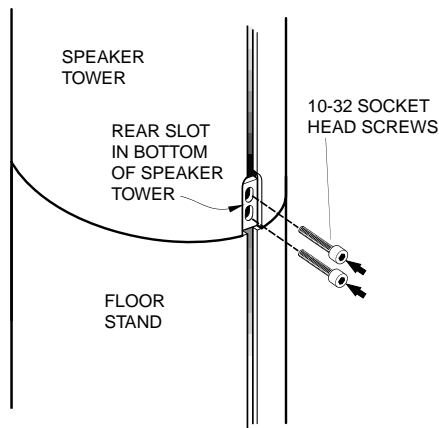


**STEP 7** – Turn stand over and slowly lower the tower assembly onto the stand, being careful to insert the alignment pins into their receptacle guide holes.

FRONT VIEW



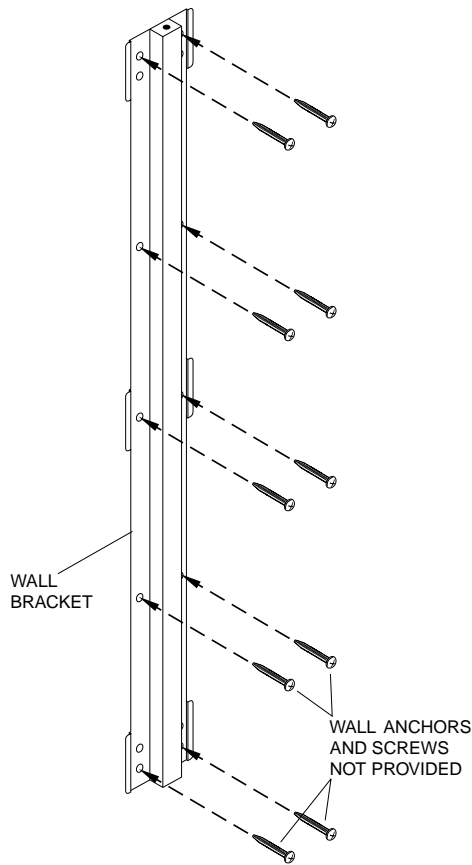
REAR VIEW



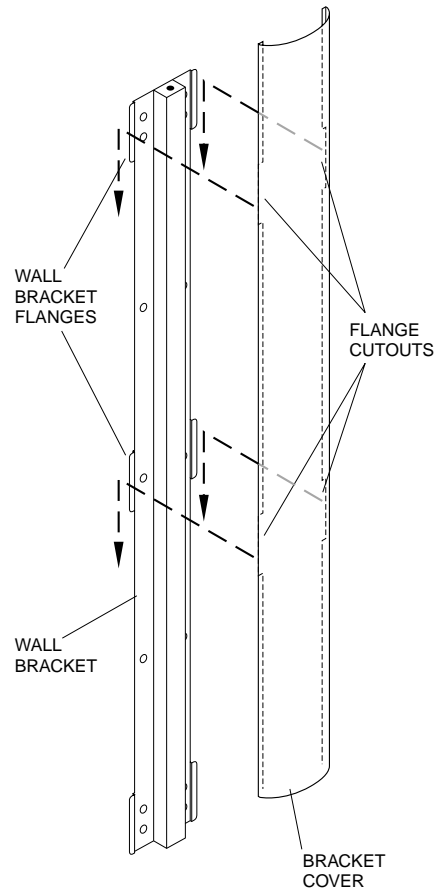
**STEP 8** – Fasten the four 10-32 Socket Head Screws through the tower base as shown: two through the front baffle and two in the rear slot. Press flush into place two screw caps to hide holes in front-baffle base. Make sure that the alignment slots point toward the center to ensure that the surface curve matches that of the baffle.

## Wall-Mounting the Tower Using the Wall Bracket

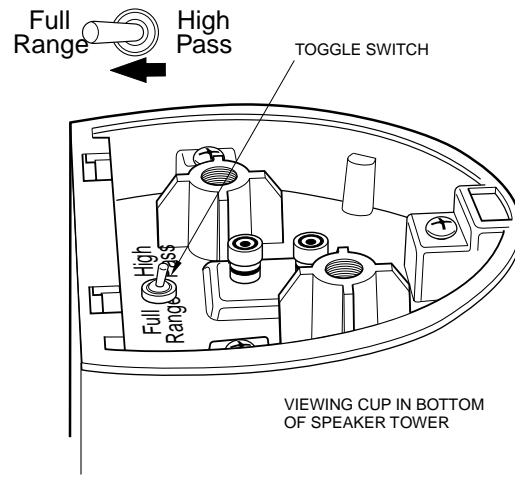
The customer is responsible for proper selection and use of mounting hardware and for correctly and safely wall-mounting the speakers.



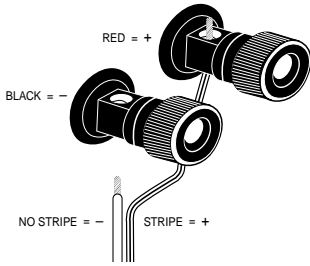
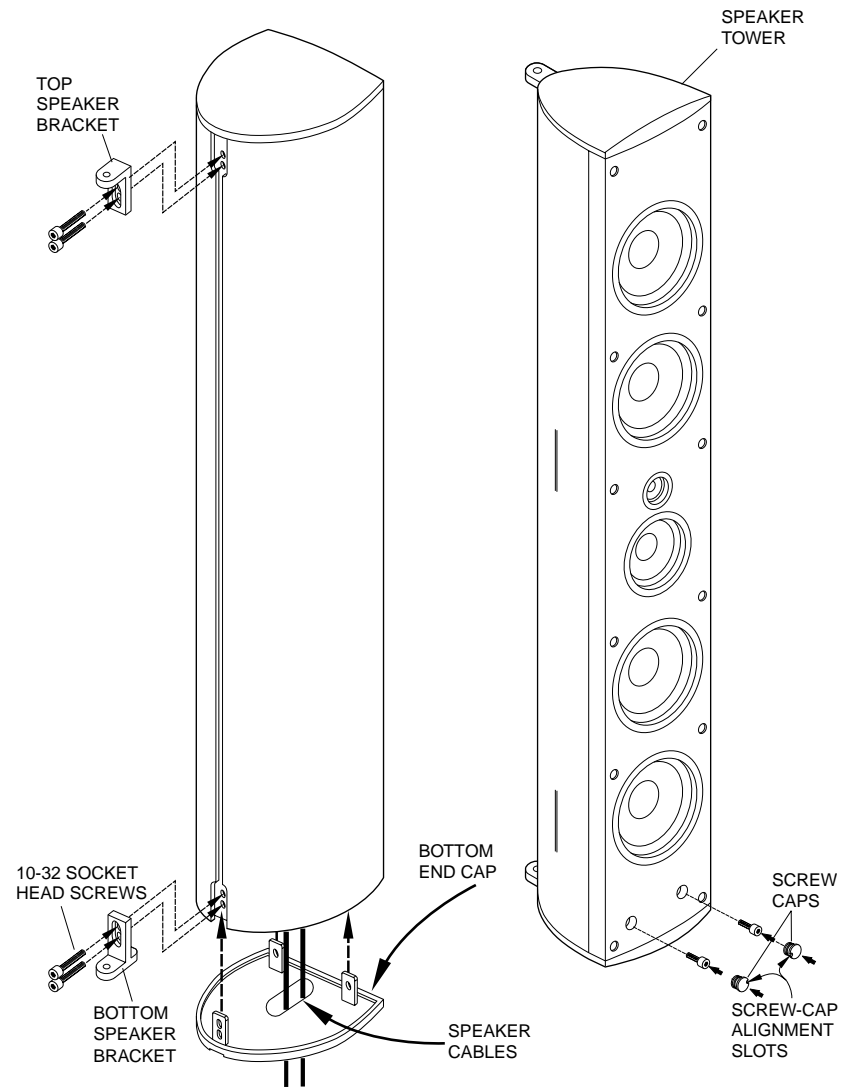
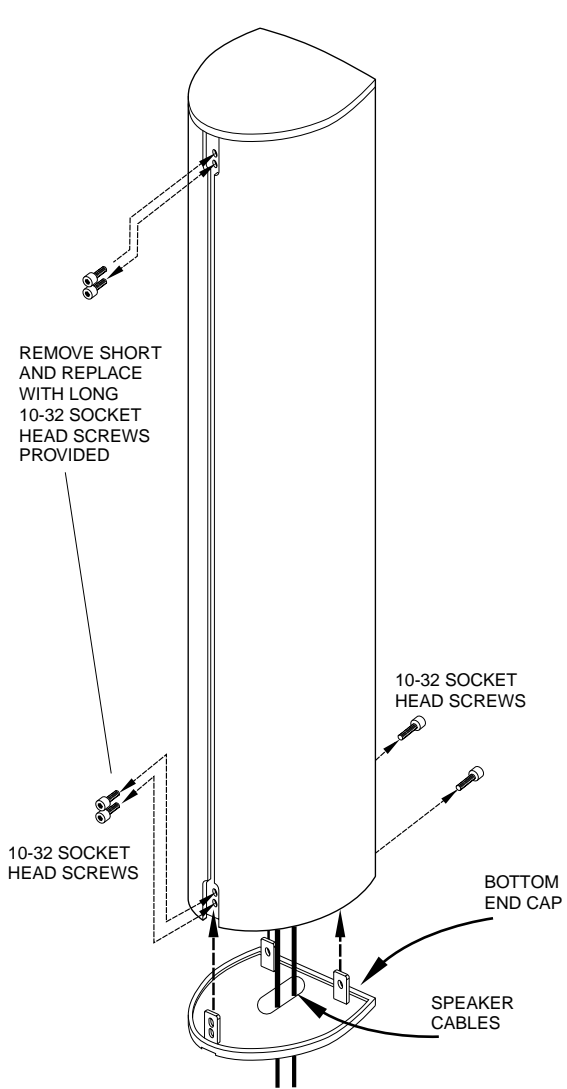
**STEP 1** – When mounting each bracket to the wall, try and position it so that you anchor it to wall studs. Be sure to anchor the bracket firmly to the wall to sufficiently hold the Speaker Tower. Use screw positions as shown in Step 1.



**STEP 2** – Align Flange Cutouts in Bracket Cover flange with Wall Bracket flanges, and slide Bracket Cover onto Wall Bracket. Now slide Bracket Cover so that it centers on the Wall Bracket. This should be a tight fit.

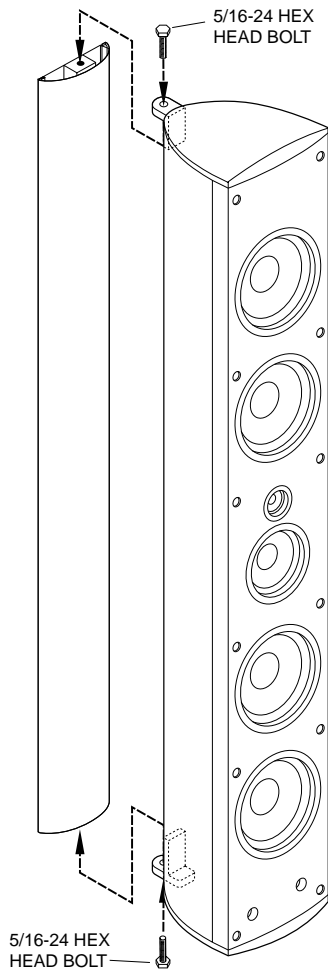


**STEP 3** – When using the tower as a surround speaker, set Toggle Switch in tower cup to “Full Range.” When using as a front channel, set Toggle Switch in tower cup in bottom to the “Full Range” position. Please consult the Prelude MTS Subwoofer manual for exceptions to this setting.

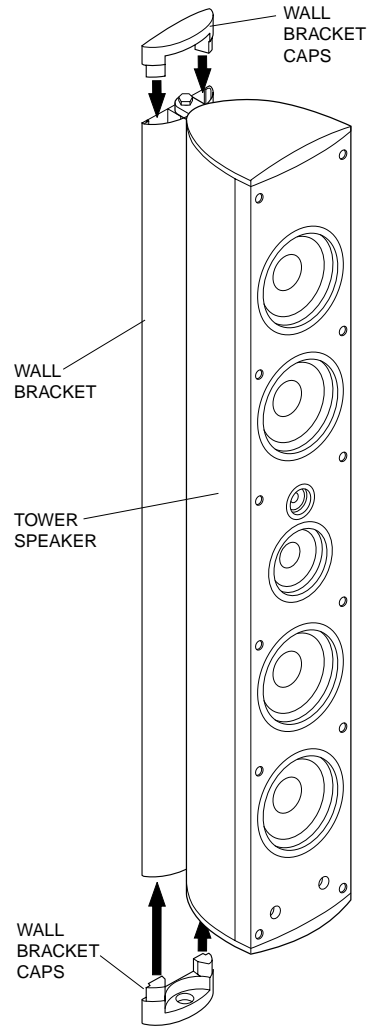


**STEP 5** – Place Top and Bottom Speaker Holders in back slots of Speaker Tower top and bottom. Insert (2) longer 10-32 Socket Head Screws provided in each and tighten. Replace the (2) screws taken out of the front baffle. Press flush into place 2 screw caps to hide holes in front-baffle base. Make sure that the alignment slots point toward the center to ensure that the surface curve matches that of the baffle.

**STEP 4** – Remove (2) existing screws in top and (4) in bottom of Speaker Tower as shown. Feed your speaker cables through the slot in the Bottom End Cap as shown and connect to the terminals. Place the Bottom End Cap on the Speaker Tower bottom.



**STEP 6** – To mount Speaker Tower assembly to Wall Bracket assembly, lift the Speaker Tower assembly, with the help of another person, onto the Wall Bracket assembly. Have one person continue to hold the Speaker Tower assembly on the Wall Bracket assembly while the other inserts and tightens one of (2) 5/16-24 Hex Head Bolts provided into the top. **Make sure you insert and finger-tighten the top one first to keep the Speaker Tower assembly from slipping off the Wall Bracket.** After the top bolt is tightened, insert and tighten the other 5/16-24 Hex Head Bolt in the bottom.



**STEP 7** – Note: If you wish to angle the Speaker Tower into a permanent position, you will need to do so and tighten the 5/16-24 Hex Head Bolts before you attach the Wall Bracket Caps. Tighten both bolts securely and attach the Wall Bracket Caps to the top and bottom of the Wall Bracket. These will snap securely into place.

# PLACEMENT

The Infinity Prelude MTS is designed to offer excellent performance in any listening room or home-theater system. However, the following placement guidelines and suggestions will start you on your way to achieving optimum performance. Remember, these are guidelines. We suggest you experiment with positioning the loudspeakers to determine their ideal placement in your particular listening room.

## 2-Channel or Front-Left and Front-Right Speakers in a Home-Theater System

Generally, the system should be placed with the tower section installed atop the subwoofer, at least three feet away from the side walls. In 2-channel applications, the two speakers should be equidistant from your primary listening position. We recommend that the angle formed between the speakers and the listening area be between  $45^\circ$  and  $60^\circ$ . For example, if the speakers are 8' apart, your listening position should be 8' to 12' from each speaker. See Figure 1. With wider speaker separations, it may be advantageous to slightly angle the speakers, aiming them toward the listening area.

When used as part of a home-theater system, you may find that you achieve excellent performance with the left and right speakers spread apart even further. Feel free to experiment with the placement of the speakers to achieve the best possible sound in your listening room.

Normally, it is recommended that the driver of each subwoofer face toward the outside, and this is how the subs are packaged. For some rooms, however, the system may perform better with the woofers facing the inside. Feel free to experiment.

## Surround Channels in a Home-Theater System

When used as part of a Dolby\* ProLogic\*, THX®, or discrete 5.1 channel home-theater system, the surround speakers should be placed at the sides of, and directed toward, the main listening area. See Figure 2. If there are several rows of seating, place the speakers, as described above, perpendicular to, or slightly behind, the last row of seating.

When used as part of a 7-channel music or home-theater system, place the side speakers at the sides of and directed toward the main listening area. If there are several rows of seating, place the speakers, as described above, perpendicular to the middle row of seating. The rear speakers should be placed on the rear wall facing the front of the room. Each rear speaker should be about 1/3 of the way into the room, but never to the outside of the listening area. See Figure 3.

FIGURE 1

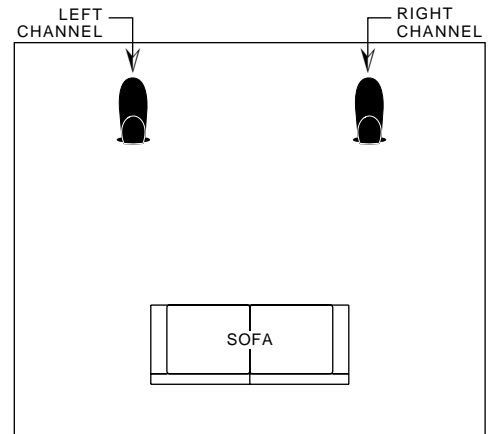


FIGURE 2

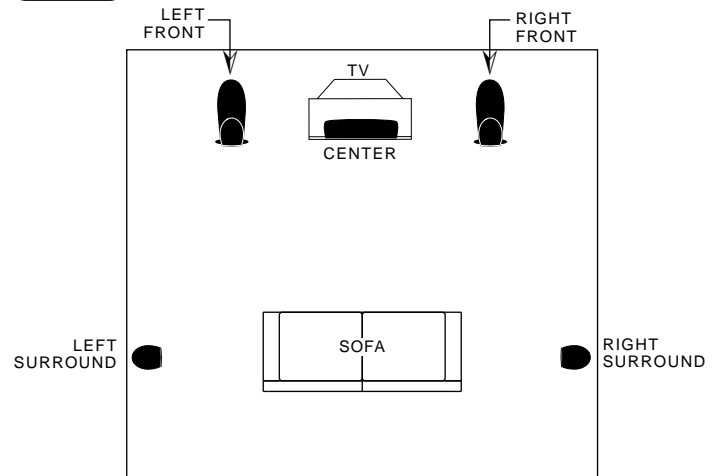
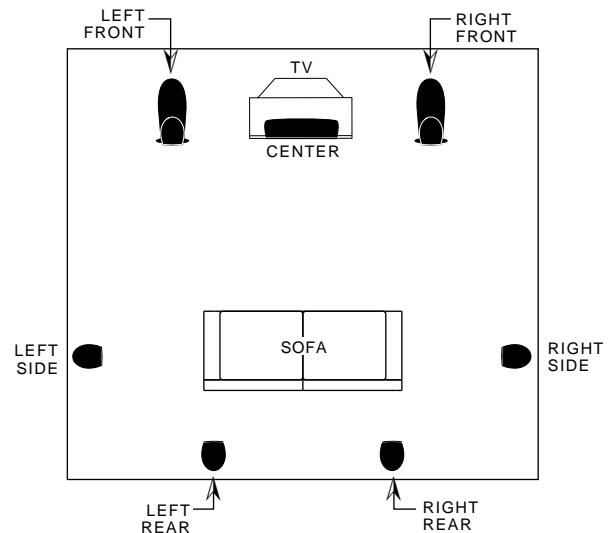


FIGURE 3



# SPECIFICATIONS

## Prelude MTS Tower

Frequency Response:	80Hz – 22kHz ( $\pm 3$ dB) 100Hz – 20kHz ( $\pm 1.5$ dB)
Impedance:	4 $\Omega$ ( $\pm 1\Omega$ )
Sensitivity: (2.83V @ 1 meter)	90dB
Recommended Amplifier Power Range:	25 – 500 watts
2nd- and 3rd-Order Harmonic Distortion: (20Hz – 20kHz @ 95dB SPL)	<1%
Crossover Frequencies:	80Hz, 300Hz, 2kHz 24dB/Octave
Dimensions:	37" x 6-1/2" x 7-1/2" (940mm x 165mm x 191mm)

## Optional Accessories:

Prelude MTS-WB: Wall Bracket for Tower

Prelude MTS-FS: Floor Stand for Tower

Infinity continually strives to update and improve existing products, as well as create new ones. The specifications and construction details in this and related Infinity publications are therefore subject to change without notice.

### Declaration of Conformity



We, Infinity Europe A/S  
Kongevejen 194B  
DK-3460 Birkerød  
DENMARK

declare in own responsibility, that the product described  
in this owner's manual is in compliance with technical  
standards:

EN 50081-1:1992

EN 50082-1:1992

Steen Michaelsen  
Infinity Europe A/S  
Birkerød, DENMARK. 10/99



**A Harman International Company** © 1999 Infinity Systems, Inc., 250 Crossways Park Drive, Woodbury, NY 11797 USA (800) 553-3332 (USA Only) [www.infinitysystems.com](http://www.infinitysystems.com)

\*Trademarks of Dolby Laboratories. THX is a registered trademark of Lucasfilm, Ltd.

Infinity is a registered trademark of Infinity Systems, Inc. Printed in USA 10/99 Part No. 335060-002